

EtherCAT



ECAT-2061

EtherCAT Slave I/O Module with Isolated 16-channel Relay DO

Features

- On the fly processing: EtherCAT
- Powerful MCU handles efficient network traffic
- 2 x RJ-45 bus interface
- Distance between stations up to 100 m (100 BASE-TX)
- Support daisy chain connection
- EtherCAT conformance test tool verified
- Removable terminal block connector
- LED indicators for the input status
- Built-In Outputs: 16 Relay DO
- RoHS compliant
- ESD Protection 4 KV Contact for each channel



Introduction

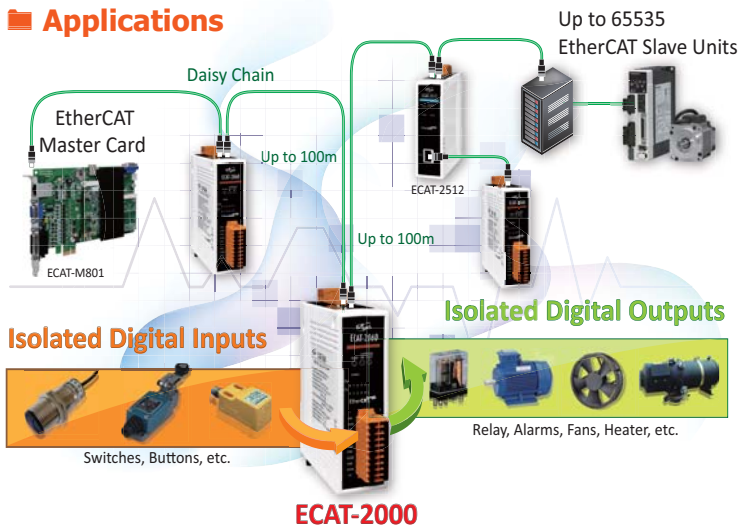
The ECAT-2061 is an industrial slave I/O module built in 16 relay outputs. It is equipped with the EtherCAT* protocol and installed by daisy chain connection that provides a more scalable system with fewer wires. Users can obtain the input and output status not only via the process data but also from its LED indicators. The ECAT-2061 has passed and verified by the conformance test tool, therefore eligible EtherCAT Master or configurator can manipulate it simply and implement your various applications easily.

* EtherCAT® is registered trademark and patented technology, licensed by Beckhoff Automation GmbH, Germany.

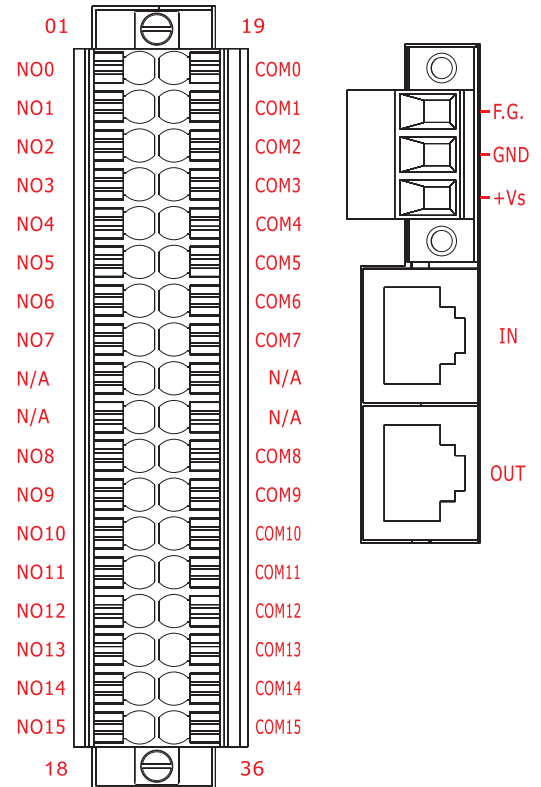
Hardware Specifications

Digital Input		
Channels		16
Type		Form A (SPST-NO)
Contact Rating (Resistive Load)		3 A @ 250 VAC (47 ~ 63 Hz), 3 A @ 30 VDC
Operate Time		10 ms (Max.)
Release Time		5 ms (Max.)
Insulation Resistance		1,000 MΩs at 500 Vdc
Dielectric Strength	Between Open Contact	1000 VAC (1 min.)
	Between Coil and Contacts	3000 VAC (1 min.)
Endurance	Mechanical	2 x 10 ⁷ ops
	Electrical	1 x 10 ⁵ ops
Power On Value		Yes
Safe Value		Yes
Photo-Isolation		3000 Vdc
Communication Interface		
Connector		2 x RJ-45
Protocol		EtherCAT
Distance between Stations		Max. 100 m (100 BASE-TX)
Data Transfer Medium		Ethernet/EtherCAT Cable (Min. CAT 5), Shielded
EMS Protection		
ESD (IEC 61000-4-2)		±4 kV Contact for Each Terminal
EFT (IEC 61000-4-4)		Signal: 1 KV Class A; Power: 1 KV Class A
Surge (IEC 61000-4-5)		1 KV Class A
Power		
Input Voltage Range		+10 ~ +30 Vdc
Power Consumption		4 W Max.
Mechanical		
Dimensions (W x L x H)		31 mm x 157 mm x 126 mm
Installation		DIN-Rail Mounting
Case Material		UL 94V-0 Housing
Environment		
Operating Temperature		-25 ~ +75°C
Storage Temperature		-30 ~ +80°C
Relative Humidity		10 ~ 90% RH, Non-condensing

Applications



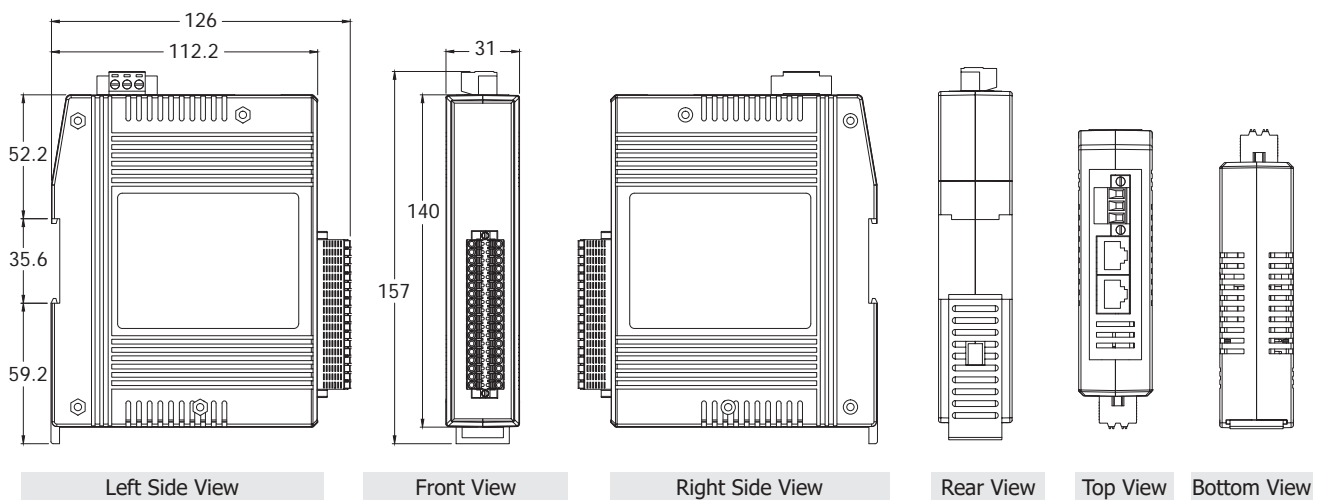
Pin Assignments



Wire Connections

Output Type	ON State Readback as 1	OFF State Readback as 0
Relay Output	<p>RLx.COM</p> <p>AC/DC</p> <p>LOAD</p> <p>RLx.NO</p> <p>Relay Close</p> <p>To other channels</p>	<p>RLx.COM</p> <p>AC/DC</p> <p>LOAD</p> <p>RLx.NO</p> <p>Relay Open</p> <p>To other channels</p>

Dimensions (Units: mm)



Ordering Information

ECAT-2061 CR	EtherCAT Slave I/O Module with Isolated 16-channel Relay DO (RoHS)
--------------	--